

NASH

**905 Series
Liquid Ring Vacuum Pumps & Compressors**



NASH 905 Series Vacuum Pumps & Compressors

A Higher Standard in Liquid Ring Pumps

NASH liquid ring pumps produced by Gardner Denver have been setting the standard in performance and reliability for over 100 years. Now, the reliable NASH 904 series has been improved upon - bringing you the 905 series of liquid ring vacuum pumps and compressors.

The 905 series has been designed to provide superior reliability and performance in harsh applications such as chemical processing, geothermal power generation or anywhere reliable compression of corrosive gases is needed. Constructed of 316L stainless steel, the 905 series offers excellent corrosion resistance and can be outfitted with a variety of mechanical seals.

Features	Benefits
One moving part	Long term reliability
Variable port design	High efficiency
Reduced water usage	Water savings
Conical design	Better ability to handle water/particulate slugs
Lobe purges	Reduced erosion wear
Nash patented Gas Scavenging	Increased performance at high vacuum levels
External mechanical seals*	Flexibility & ease of maintenance
100% performance tested	Trouble-free start-up and operation
Optimum design using finite element analysis	Improved efficiency, performance and value
Backed by a 2 year warranty and over 100 years of experience	Peace of Mind

Reliable Technology for Today's Industrial Processes

The NASH 905 series of pumps and compressors provides lower life cycle costs and greater overall value to our customers. Improvements include an improved variable port design, enabling a wider operating range with improved efficiency, water saving technology and simpler seal line piping. The 905 series also includes a **patented gas scavenging feature** to provide superior performance and longevity at high vacuum levels.

Basic Specifications	
Vacuum range	0-26 in Hg vac to 120 mbar abs
Mechanical seals*	Single or double cartridge
Differential pressure	15 psi 1 bar
Construction material	316L stainless steel

*Packing is supplied as standard. Mechanical seals are optional.

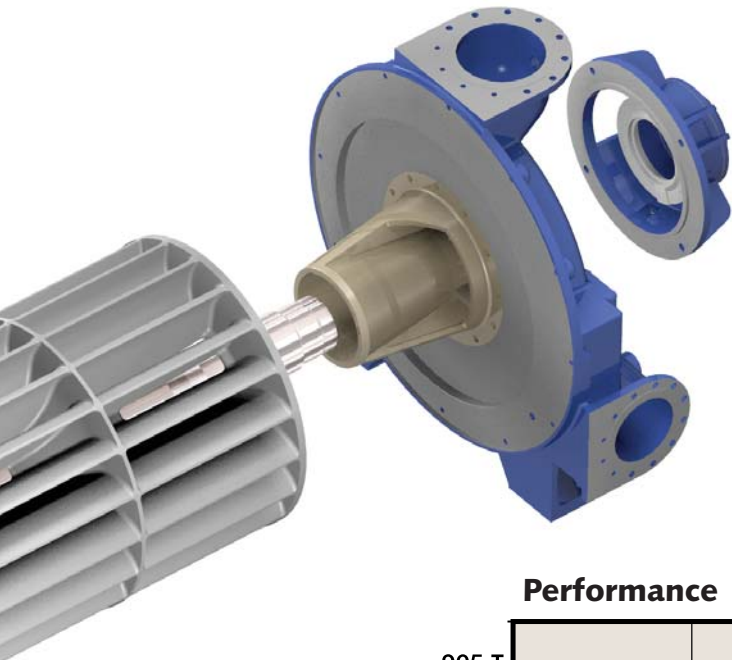
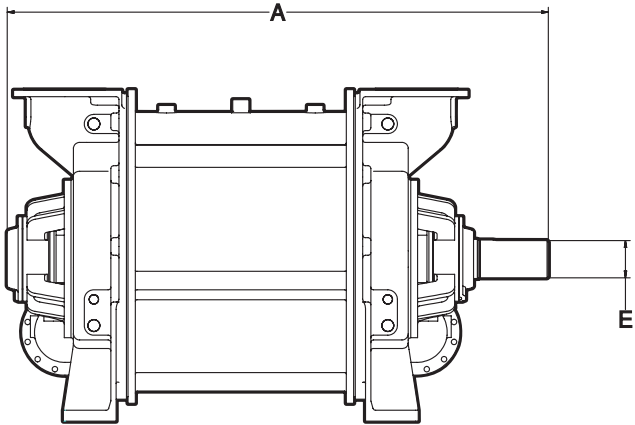
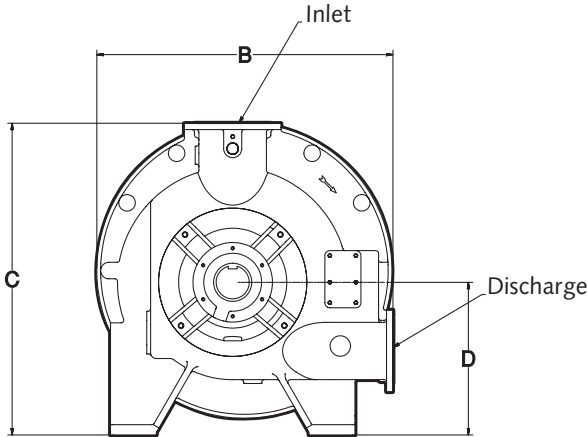


World Class Design & Performance

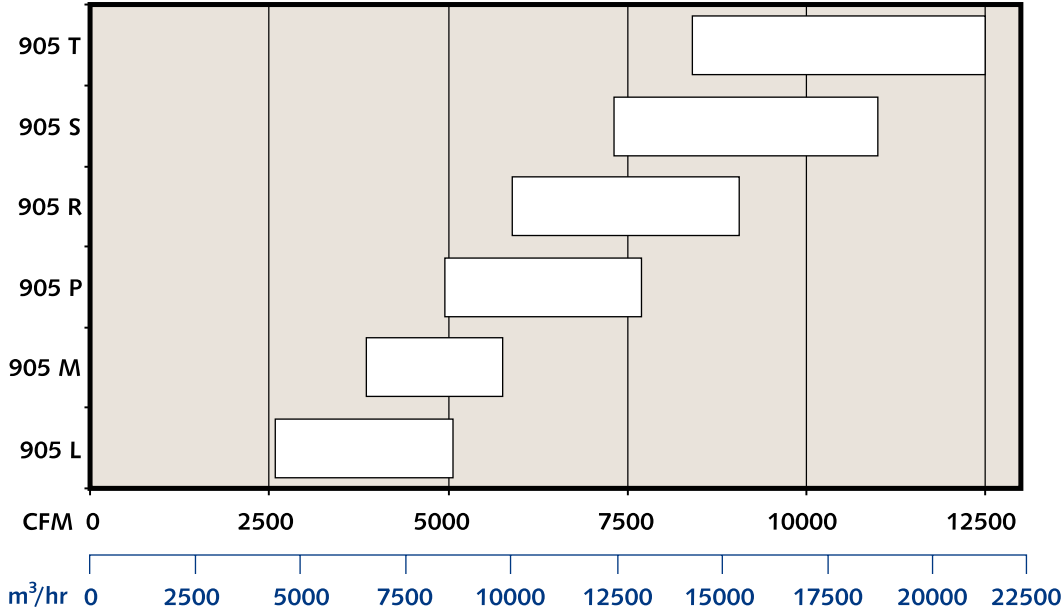
Dimensions inches (mm in blue)

Model	A	B	C	D	E	Inlet	Discharge
905 L	86 2184	49 1245	52 1321	25 635	5 127	10 254	8 203
905 M	94 2388	49 1245	52 1321	25 635	5 127	10 254	8 203
905 P	100 2540	58 1473	61 1549	30 762	7 178	12 305	10 254
905 R	109 2769	58 1473	61 1549	30 762	7 178	12 305	10 254
905 S	118 2997	69 1753	73 1854	36 914	7.5 191	14 356	12 305
905 T	125 3175	69 1753	73 1854	36 914	7.5 191	14 356	12 305

All dimensions are approximate



Performance



Other NASH Products

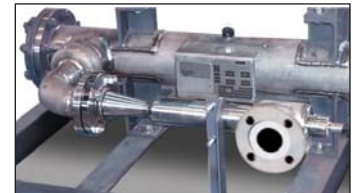
TC/TCM

Integral 2 stage liquid ring pumps with improved performance at vacuum levels down to 0.8" HgA (27 mbar)
Designed to handle large amounts of liquid carryover without difficulty
Capacity of 100 to 2,240 CFM with vacuum to 0.8" HgA
Capacity of 170 to 3,740 m³/h with vacuum to 27 mbar abs



Steam Jet Ejectors

Sizes range from one-inch (25mm) to 78-inch (2 meters) inlets
Capacities range from 20 CFM to 20,000 CFM
Capacities range from 34 m³/h to 34,000 m³/h
Multi-stage system pressures as low as 0.001 mm HgA



Vectra

Liquid ring vacuum pumps and compressors
Available in feature rich budget designs (SX, XL or GL)
Designed to handle high back pressure requirements
Capacity of 20 to 4,000 CFM with vacuum to 29+ HgV
Capacity of 34 to 6,796 m³/h with vacuum to 33 mbar abs



Service

We have the know-how, the expertise and the specialists. We provide professional service to make your pumps run for decades. Our service centers are located in:

- Australia
- Brazil
- China
- France
- Germany
- Korea
- Netherlands
- Singapore
- South Africa
- Sweden
- UK
- USA



Compressors

Wide range of liquid ring compressors designed for many applications. Rugged and reliable, they can handle highly toxic, explosive and corrosive gases
Specifically developed for applications such as flare-gas, Chlorine and Vinyl Chlorine Monomer (VCM) recovery
Capacity of 60 to 2,200 SCFM with pressure to 200 PSIG
Capacity of 100 to 3,740 m³/h with pressure to 15 bar abs
Single and two stage models available



NASH

Div. of Gardner Denver

phone: 800 553 NASH

+1 203 459 3900

fax: +1 203 459 3988

nash@gardnerdenver.com

www.GDNash.com

